

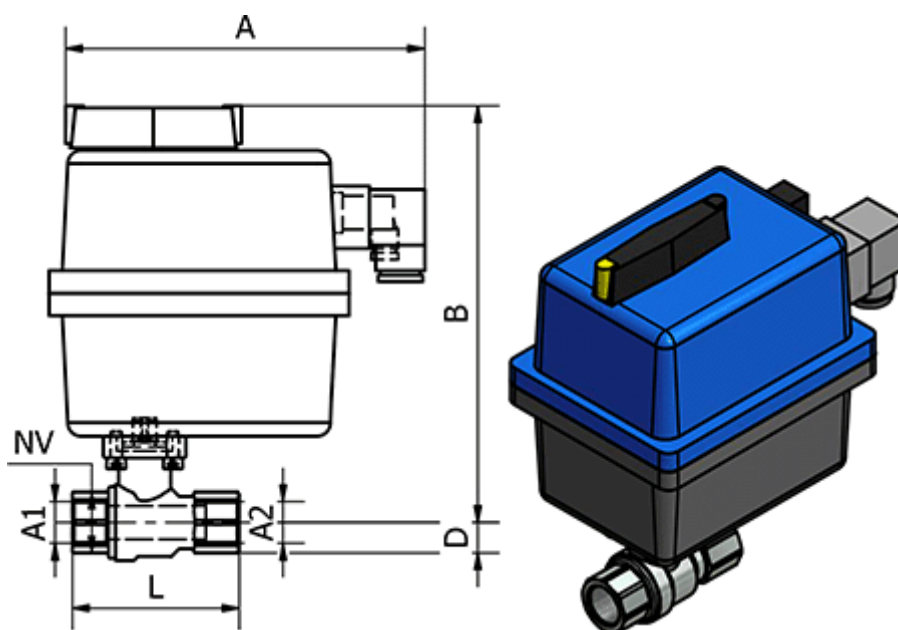
Data Sheet



Article number: 5863501815

Description: Ball Valve 350.1815, G 2" - G 2"
Thread/Thread

Measures



= -	D	= 45
= -	L	= 140
= -	Max. Operating Pressure	= 25 bar
= -	NV	= 70

A = 177

B = 259

Connecting A1 = G 2"

Connecting A2 = G 2"